

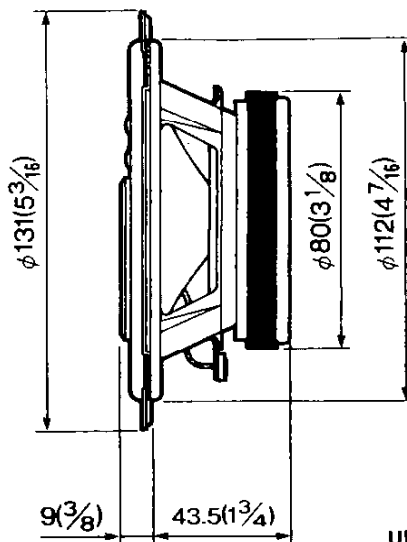
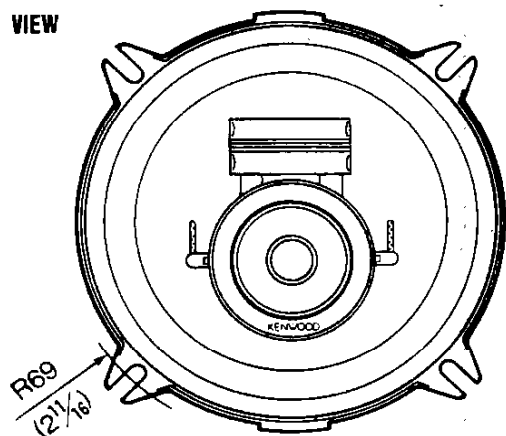
# KFC-138E

## SERVICE MANUAL

# KENWOOD




©1988-12 PRINTED IN JAPAN  
B51-3767-00(B)1107

### EXTERNAL VIEW



UNIT: mm (inch)

### PARTS INCLUDED

-  4.5m(15ft) ..... X2
-   $\phi 4-20(3/16-3/4)$  ..... X8
-  ..... X8

### SPECIFICATIONS

- Speakers
- Woofers ..... 13cm (5 1/4in) Water proof treatment cone type  
167g(5.9oz) Magnet
  - Mid-Range ..... 4cm(1 9/16in) cone type
  - Tweeter ..... Ceramic
  - Peak power ..... 60 Watts
  - Frequency Response ..... 50Hz ~ 21,000Hz
  - Sensitivity ..... 90dB/W at 1m
  - Impedance ..... 4 ohms
  - Weight per speaker ..... 0.56kg(1lb 4oz)/pc

We follow a policy of advancements in development.  
For this reason specifications may be changed without notice.

### PARTS LIST

★ New parts  
Parts without Parts No. are not supplied  
Les articles non mentionnés dans le Parts No. ne sont pas fournis.  
Teile ohne Parts No. werden nicht geliefert.

Ref No.	New Parts	Parts No.	Description
		B46-0100-10	WARRANTY CARD
	★	E30-1237-08	CORD SET
	★	N99-1088-08	SCREW SET
	★	T15-0125-08	SPEAKER